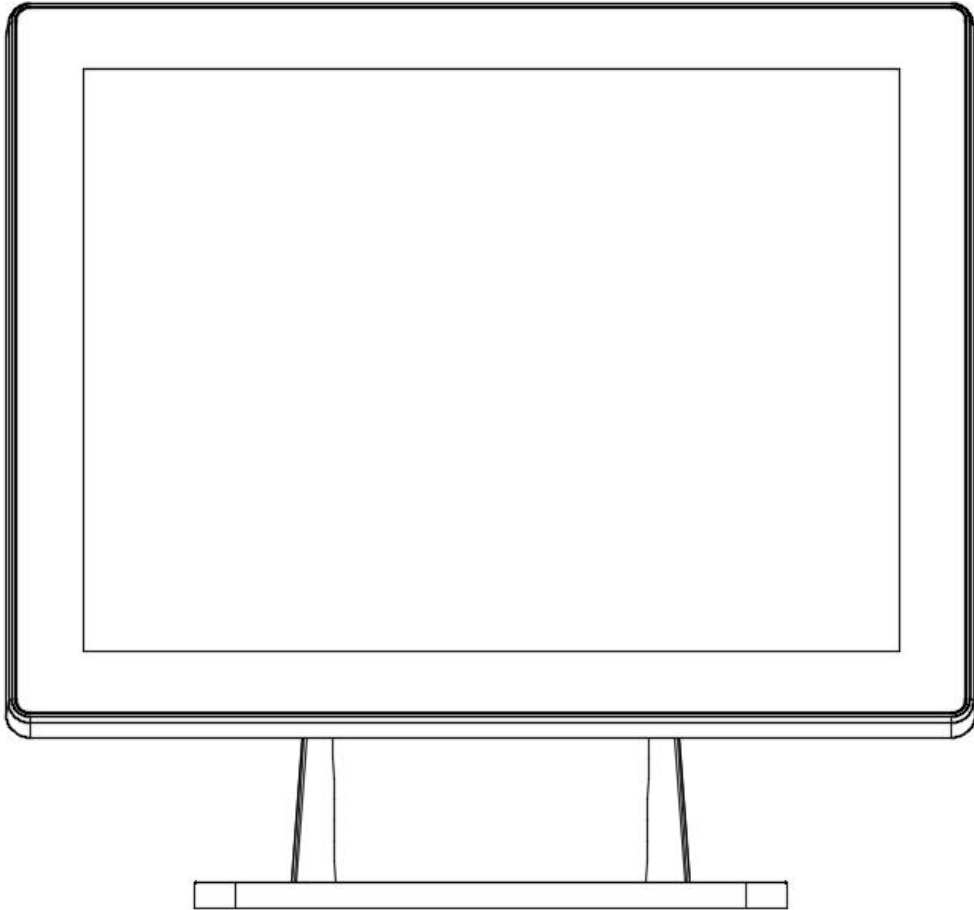


User Manual of T3



Version 1.1

© Copyright Shenzhen Elanda Tech Co., Ltd 2024

Table of Contents

1. Overview	1
1.1 Features	1
1.2 Specifications- configuration 1	1
1.3 Specifications- configuration 2	3
2. Product view	4
2.1 Front & side	4
2.2 Dimension (in mm)	5
3. External IO	5
3.1 IO of configuration 1	5
3.2 IO of configuration 2	7
4. Packaging list	8
5. FAQ	8
6. Safety and use precautions	10

1. Overview

1.1 Features

- 15” TFT LCD Screen (best resolution 1024 x 768);
- Multi-touch projected capacitive touch screen, supports touch sound feedback;
- Supports 2 cash drawer controls and 1 switch status feedback (YLD-J6412 configuration);
- RS232 in RJ50 supports Vcc 5V or 12V power output (only 5V for 11/12th Intel Core motherboard);
- Supports WiFi and Bluetooth onboard module with the 3.5” 11/12th Intel Core motherboard;
- Great compatibility, easy and convenient to replace different motherboards

1.2 Specifications- configuration 1

Elanda SPEC				
Model Number		T3		
CPU Support		Intel Elkhart Lake J6412 2.0GHz (up to 2.6GHz, 1.5MB Cache)	Supports 6th generation Intel Core i3/i5/i7	Supports 7th generation Intel Core i3/i5/i7
System Memory		1 x DDR4, SO-DIMM, 4GB (Max. 32GB)		
Storage	SATA	1 x 2.5” SATA SSD 128GB (64G/256G optional)		
	mSATA	1 x mSATA-SSD (optional)		
LCD	Size	15" TFT LCD Panel		
	Brightness	350 cd/m2 (Typ.)		
	Resolution	1024 x 768		
Touch Screen		True-Flat Projected Capacitive Touch		
Tilt Angle		0 ~ 60 degree		
External I/O Port	USB	4 x USB 3.0 +2 x USB 2.0 (Powered, default setting)		
	Serial port	3 x Serial port (RJ50), COM1~3: 0/5/12V by pin-JP		

	VGA	1 x VGA (Power enable by BIOS, +12V)
	HDMI	1 x HDMI Connector (enabled by BIOS, VGA Colay)
	Cash Drawer Port	1 x RJ11, 12V & 24V
	LAN	1 x LAN (10/100/1000Mb)
	AUDIO	1 x Mic-In/Speaker-out (Combo Jack)
	DC-IN	1 x DC In (4 PIN)
	Power Switch	1 x Power Switch
Speaker		2 x 2W speaker (optional)
Base LED		USB, White, 95 x 20 x 2.8mm (optional)
Power		External power adapter, 12V-5A/60W
EMC Safety		CE, FCC, UKCA, ROHS
Environment	Operating Temp.	0°C ~ 35°C
	Storage Temp.	-15°C ~ 60°C
	Operating Humidity	20% - 85% RH, non condensing
	Storage Humidity	20% - 85% RH, non condensing
OS Support		Windows11/10 LTSC/Ubuntu 18.04
Dimension (W x D x H)		With no 2 nd display: 360mm x 249mm x 326mm / with 11.6" 2 nd display :360mm x 249mm x 362mm / with 15.6" 2 nd display: 385mm x 249mm x 433mm
Weight (N.W. / G.W.)		Approx. 4.7Kg / 6.0kg
Wall Mount		VESA 100 x 100mm
Optional	WiFi	mPCI-E WiFi/BT
	MSR	MSR + iButton (Combo) or MSR +RFID (Combo), USB(VCOM optional), 1, 2, 3 Track, ISO7810,7811-1/2/3/4/5, IBM, AAMVA, JIS-2 Standard
	Scanner	DY3090 (USB, 1D, 2D, Reading precision:≥3mil, Dimension: 21.4mm x 10.8 x 15.2mm)
	Customer display	VFD display, USB (VCOM), 2 x 20 characters
	2nd Display	VGA, 9.7" (1024 x 768) VGA, 11.6" (1366 x 768) VGA, 12.1" (1280 x 800)

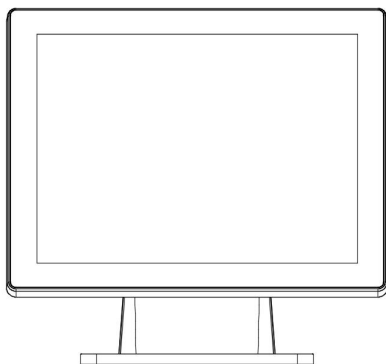
1.3 Specifications- configuration 2

Elanda SPEC			
Model Number		T3	
CPU Support		Intel Tiger Lake i3-1115G4 3.0GHz(up to 4.1GHz, 6MB Cache), FANLESS	Intel Tiger Lake i5-1135G7 2.4GHz(up to 4.2GHz, 8MB Cache), FANLESS
System Memory		1 x DDR4, SO-DIMM , 4GB (Max. 32GB)	1 x DDR5, SO-DIMM , 4GB (Max. 32GB)
Storage	SATA	N/A	
	mSATA	1x SSD, 2242 (optional)	
LCD	Size	15" TFT LCD Panel	
	Brightness	350cd/m2 (Typ.)	
	Resolution	1024 x 768	
Touch Screen		True-Flat Projected Capacitive Touch	
Tilt Angle		0 ~ 60 degree	
External I/O Port	USB	2 x USB 3.0 +3x USB 2.0	
	Serial port	2 x Serial port (RJ50), default COM1~2, 5V for the 9 th pin	
	VGA	N/A	
	HDMI	1 x HDMI	
	LAN	1 x LAN (10/100/1000Mb)	
	CR	1xRJ11 supports 24V cash drawer	
	AUDIO	N/A	
	DC-IN	1 x DC In	
	DC-OUT	1 x DC12V (2nd Display Power)	
	Power Switch	1 x Power Switch	
Speaker		2 x 2W speaker (optional)	
WiFi		WiFi 2.4-5G / BT 4.2	N/A
Base LED		USB, White, 95 x 20 x 2.8mm (optional)	
Power		External power adapter, 24V-4A/96W	

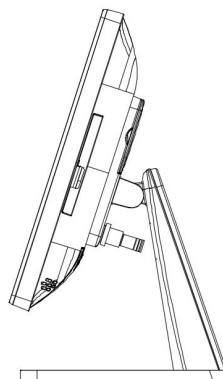
EMC Safety		CE, FCC, UKCA, ROHS	
Environment	Operating Temperature	0°C ~ 35°C	
	Storage Temperature	-15°C ~ 60°C	
	Operating Humidity	20% - 85% RH, non condensing	
	Storage Humidity	20% - 85% RH, non condensing	
OS Support		Windows 11 / 10 LTSC / Ubuntu 18.04	
Dimension (W x D x H)		With no 2 nd display: 360mm x 249mm x 326mm / with 11.6" 2 nd display: 360mm x 249mm x 362mm / with 15.6" 2 nd display: 385mm x 249mm x 433mm	
Weight (N.W./G.W.)		Approx. 4.7kg / 6.0kg	
Wall Mount		VESA 100 x 100mm	
Optional	WiFi	N/A	mPCI-E WiFi/BT
	MSR	MSR + iButton (Combo) or MSR +RFID (Combo) , USB(VCOM optional) , 1, 2, 3 Track, ISO7810,7811-1/2/3/4/5, IBM, AAMVA, JIS-2 Standard	
	Scanner	DY3090(USB, 1D, 2D, Reading precision:≥3mil, Dimension:21.4mm x 10.8 x 15.2mm)	
	Customer display	VFD display, USB (VCOM), 2x20 characters	
	2nd Display	HDMI, 11.6" (1366 x 768) / HDMI, 15.6" (1366 x 768)	

2. Product view

2.1 Front & side



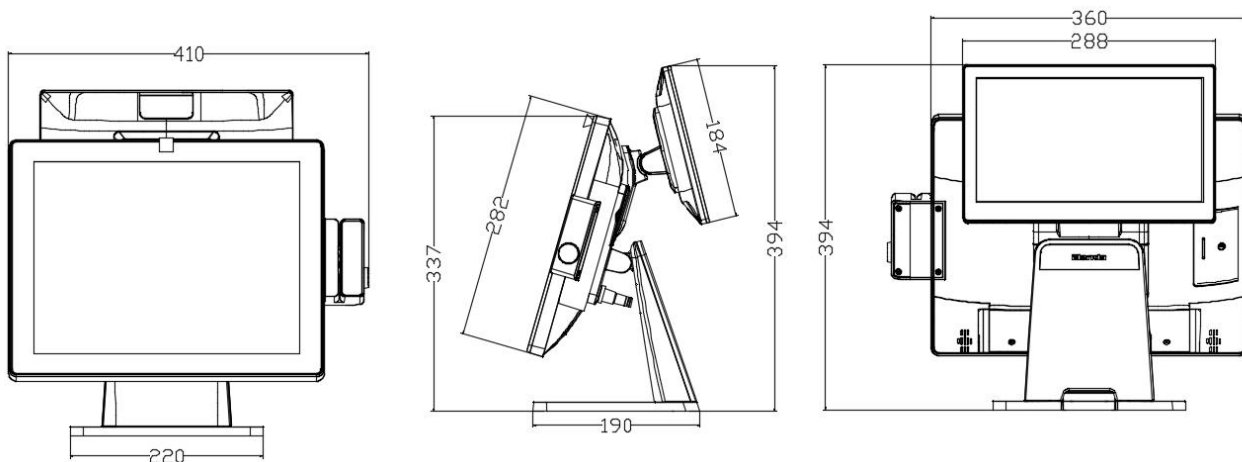
Front



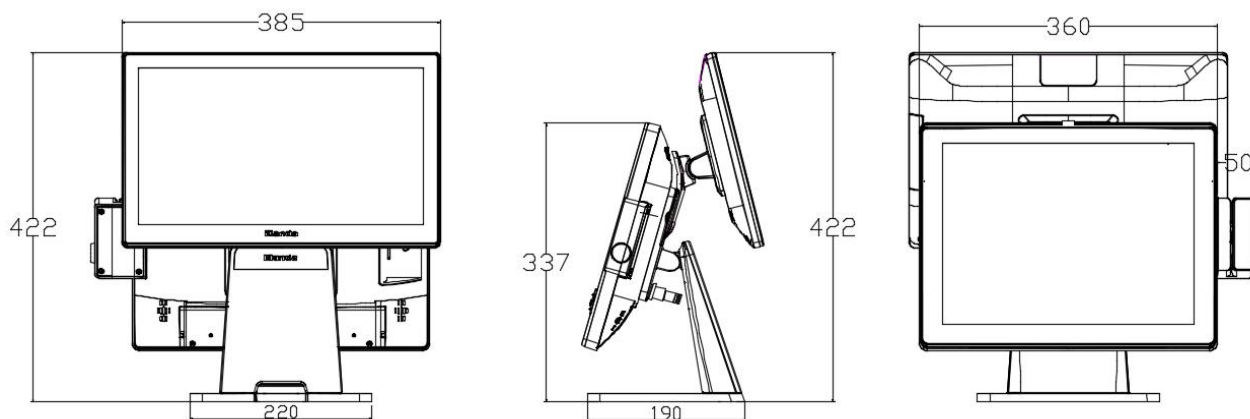
Side

2.2 Dimension (in mm)

2.2.1 Dimension with 11.6" 2nd screen

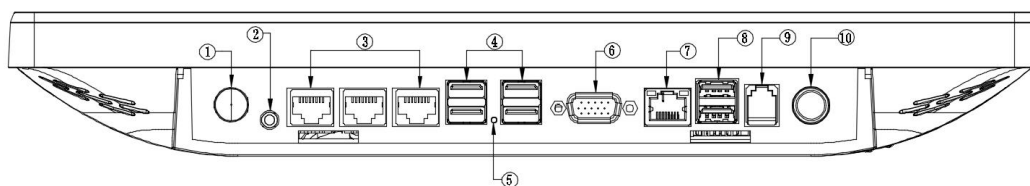


2.2.2 Dimensions with 15.6" 2nd screen



3. External IO

3.1 IO of configuration 1



1) Power button

Press this button to power on the machine. The power indicator in the lower right

corner of the screen will turn blue after power up, and then you will need to wait 20 seconds for the system to be ready to use.

2) Audio combo

Ø3.5mm headphone and microphone jack with the CTIA international standard.

3) 3 x RJ50 (COM)

RJ50 is the standard communication port for COM in RS232, and please choose the the RJ50 to DB9 conversion cable from Elanda; if you choose an adapter from other vendors, you may damage the port or machine.

The 9PIN in the DB9 port of the RJ50 conversion cable is VCC 5V or 12V, which is 5V by default and provides power to the connected (VFD, etc) terminal. If there is the need to change the voltage to 12V, please contact Elanda technical support.

4) 4 x USB 3.0

USB3.0: bidirectional high-speed standard Universal Serial Bus interface.

5) RST BIOS

When the system fails to display or fails to power on as the BIOS settings have been changed, you can first unplug the power cord of the machine, and then press and hold the RST button for 5 seconds to reset the BIOS settings.

6) VGA

This VGA port (9PIN) can provide 12V-2A DC-OUT as the working power for the 2nd screen. If you need to connect the machine to a second VGA display, please use the screen from Elanda. Otherwise a regular VGA monitor may be damaged when it is connected to the power enabled VGA.

For how to Enable / Disable the VGA power: connect the POS with a USB keyboard, reboot the POS, press DEL to Enter BIOS. Next use arrows keys to navigate to **Chipset - VGA PIN9 Supply Power**, and select **Enable / Disable**. Then press F10 and confirm Enter to confirm the change to exit.

7) LAN

Supports 10M/100M/1000M network.

8) 2 x USB2.0

The USB 2.0 on a J6412 configuration is the standard Universal Serial Bus with standby power.

Note: The USB 2.0 on the 6100U/6360U configuration is the standard one, and does not have standby power.

9) RJ11 (cash drawer control)

The RJ11 on a J6412 configuration supports dual cash drawer signals. Please purchase the original 1 to 2 two RJ11 conversion cable from Elanda if you need the 2 controls of the dual cash drawer at the same time.

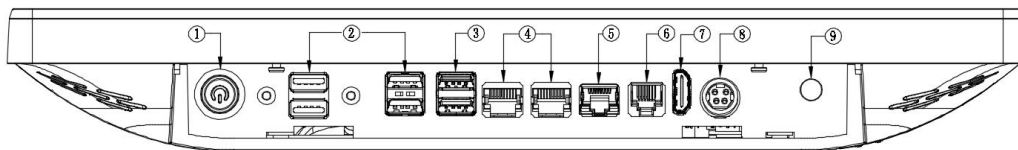
Note: The RJ11 on a 6100U/6360U configuration supports only single-channel cash drawer control.

10) DC-IN (12V-5A)

Please use the original power adapter from Elanda to power the machine. For the use of the power adapter from other brands, be careful with its output power and wattage, otherwise it may damage the machine.

Note: Connection not as defined may damage the port or the machine.

3.2 IO of configuration 2



1) Power button

Press this button to power on the machine. The power indicator in the lower right corner of the screen will turn blue after power up, and then you will need to wait 20 seconds for the system to be ready to use.

2) 4 x USB 2.0

The USB 2.0 is the standard Universal Serial Bus with standby power.

3) 2 x USB 3.0

USB3.0: bidirectional high-speed standard Universal Serial Bus interface.

4) 2 x RJ50(COM)

RJ50 is the standard communication port for COM in RS232, and please choose the the RJ50 to DB9 conversion cable from Elanda; if you choose an adapter from other vendors, you may damage the port or machine.

5) LAN

Supports 10M/100M/1000M network.

6) RJ11 (cash drawer control)

The RJ11 on a J6412 configuration supports dual cash drawer signals. Please purchase the original 1 to 2 two RJ11 conversion cable from Elanda if you need the 2 controls of the dual cash drawer at the same time.

7) HDMI

HDMI, a high-definition display interface, which can be used to connect a second screen with HDMI.

8) DC 24V/4A input

Please use the original power adapter from Elanda to power the machine. For the use of the power adapter from other brands, be careful with its output power and wattage, otherwise it may damage the machine.

9) DC12V-OUT

DC12V-OUT is a 12V-2A power output port that supplies power to a VGA display.

Note: Connection not as defined may damage the port or the machine.

4. Packaging list

No.	Content	Quantity	Notes
1	POS	1 pc	
2	DC12V-5A power adapter	1 pc	Configuration 1
3	DC12V-7A power adapter	1 pc	Configuration 2
4	Power cord	1 pc	
5	RJ50-com-DB9 adapter cable	2 pcs	
6	2 nd monitor	1 pc	Optional
7	DC12V-7A power adapter	1 pc	Configuration 1 (Optional by CPU)

5. FAQ

1) The indicator in the lower right corner of the screen is not on, why?

- A. Check whether the indicator of the power adapter is on;
- B. If the indicator is faulty, check whether the external AC power socket has power;
- C. Check whether the DCIN plug of the I/O panel falls off;
- D. Replace the power adapter with the same voltage and wattage to test;
- E. The motherboard or internal circuit of the machine is faulty , please contact the local service provider for repairs.

2) The indicator in the lower right corner of the main screen is on, but there is no image when you press the power button. Why?

- A. Note whether there is a "di-di-di" alarm when booting. If there is, please turn to a professional to reinstall the memory or replace the memory to test;
- B. If there is no any alarm sound, check whether the power button is damaged. The test can be carried out by short circuiting the power pins on the motherboard.
- C. The motherboard or its internal circuit is faulty, please contact the local service provider for repairs.

3) The machine is completely unresponsive to touch input, why?

- A. After logging into the system, check **Control Panel** - to see whether there is a Tablet Setting option under Hardware and Sound. If you can find the tablet touch option, open it and test the touch screen by following the steps afterwards, and then calibrate the touch screen with the 4 corners;
- B. If the problem cannot be solved with the steps above, replace the touch controller or touch panel by reference to the disassembly and installation guide and it should be solved.

4) There is no display of the secondary screen with the VGA cable from Elanda, why?

- A. The 9th PIN on the VGA of configuration 1 can output 12V power for a display. After connecting to a display device, go to the motherboard BIOS, Advanced--Display Configuration -- VGA Power Out, set it to Enabled, save and exit to check.
- B. If the display still shows no image after step A, first go back to BIOS settings to set the VGA Power Out to Disabled, connect it to a standard VGA monitor to test. If the it still fails after switching to another VGA monitor, the VGA port on the motherboard is faulty, and you can contact the local service provider for repairs.
- C. For the 2nd display with VGA of other configurations, or the 2nd HDMI display with separate 12V DC out, if there is no content on the display, please use another 12V power adapter to connect to it and then check.

5) It is black screen and there is nothing on the display.

- A. Check if the indicator light of power adapter is on,;
- B. If the indicator light is not on, check if there is power in the external AC power outlet;
- C. Check if the DC-IN plug in the machine IO port is off;
- D. Replace the power adapter with the same voltage and power to check;
- E. Unplug the power adapter, wait about 1 minute, plug in the power supply and then

power on the machine.

F. If it still fails, it is failure of the motherboard or internal wiring, and please contact your local service provider for repair.

6. Safety and use precautions

- 1) Choose a flat and vibration-free surface to place the machine on.
 - 2) For the placement of the machine , it should be selected to avoid the direct sunshine, with little temperature change, away from the water source or with less dust.
 - 3) Please keep the machine away from strong electromagnetic fields.
 - 4) Please be careful to use the power adapter with the same voltage as marked on the machine nameplate, otherwise the machine will be seriously damaged to fail to work. It is better not to share sockets with other high-power appliances that frequently power on, such as refrigerators, air conditioners, heating equipment, etc. The power socket should be near the machine so that the power can be cut off quickly in case of emergency.
 - 5) The working temperature of the machine is $-20^{\circ}\text{C} \sim 60^{\circ}\text{C}$, please avoid placing the machine in an environment with too low or too high temperature, otherwise it may not work properly when the temperature falls out of its designed operating temperature .
 - 6) When cleaning the surface of the machine, please do not use wet cleaning tools or chemicals(such as gasoline, thinner, etc.) to wipe the panel.
 - 7) When the machine fails, immediately cut off the power. Please do not disassemble the machine for repairs, and instead contact the machine service provider in time.
- Note: Elanda will not be responsible for the damage and other consequences caused by failing to comply with the above recommendations, or improper use of the machine, maintenance from unqualified personnel or the use of parts not provided by Elanda.

